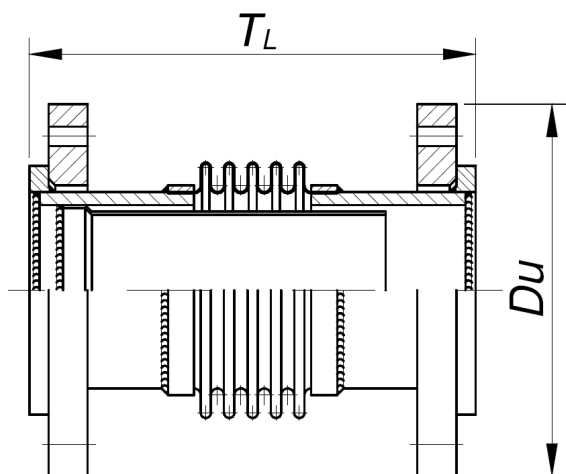


## Kompensatory mieszkowe – osiowe z przyłączem kołnierzowym luźnym Typ RPLA



### Materiały:

|                   |          |
|-------------------|----------|
| Mieszek           | AISI 321 |
| Kołnierze         | St3s     |
| Końcówki          | R35/St3s |
| Ośłona wewnętrzna | AISI 304 |

Średnica rurociągu: DN = 32 – 600 mm  
 Kompensacja: +/- Δl = 15 – 60 mm  
 Temperatura do: 300°C

### Przeznaczenie

- kompensacja osiowa

### Zastosowanie:

- instalacje ciepłownicze  
 - instalacje przemysłowe

| L.p. | DN mm | PN MPa | +/- Δl mm | Przyłącze kołnierzowe | TL mm | Du mm | A cm <sup>2</sup> | F N/mm          | Oznaczenie       |
|------|-------|--------|-----------|-----------------------|-------|-------|-------------------|-----------------|------------------|
| 1.   | 32    | 1,0    | 15        | 1,0/32                | 360   | 140   | 21,2              | 83              | RPLA-32-1,0-30   |
|      |       | 1,6    | 15        | 1,6/32                | 360   |       |                   | 83              | RPLA-32-1,6-30   |
|      |       | 2,5    | 15        | 2,5/32                | 360   |       |                   | 83              | RPLA-32-2,5-30   |
| 2.   | 40    | 1,0    | 15        | 1,0/40                | 360   | 150   | 26,2              | 78              | RPLA-40-1,0-30   |
|      |       | 1,6    | 15        | 1,6/40                | 360   |       |                   | 78              | RPLA-40-1,6-30   |
|      |       | 2,5    | 15        | 2,5/40                | 360   |       |                   | 78              | RPLA-40-2,5-30   |
| 3.   | 50    | 1,0    | 20        | 1,0/50                | 400   | 165   | 38,9              | 81              | RPLA-50-1,0-40   |
|      |       | 1,6    | 20        | 1,6/50                | 400   |       |                   | 81              | RPLA-50-1,6-40   |
|      |       | 2,5    | 20        | 2,5/50                | 420   |       |                   | 81              | RPLA-50-2,5-40   |
| 4.   | 65    | 1,0    | 20        | 1,0/65                | 380   | 185   | 61,2              | 93              | RPLA-65-1,0-40   |
|      |       | 1,6    | 20        | 1,6/65                | 380   |       |                   | 93              | RPLA-65-1,6-40   |
|      |       | 2,5    | 20        | 2,5/65                | 390   |       |                   | 111             | RPLA-65-2,5-40   |
| 5.   | 80    | 1,0    | 35        | 1,0/80                | 450   | 200   | 83,8              | 72              | RPLA-80-1,0-70   |
|      |       | 1,6    | 35        | 1,6/80                | 450   |       |                   | 72              | RPLA-80-1,6-70   |
|      |       | 2,5    | 35        | 2,5/80                | 450   |       |                   | 110             | RPLA-80-2,5-70   |
| 6.   | 100   | 1,0    | 35        | 1,0/100               | 450   | 220   | 137               | 114             | RPLA-100-1,0-70  |
|      |       | 1,6    | 35        | 1,6/100               | 450   |       |                   | 114             | RPLA-100-1,6-70  |
|      |       | 2,5    | 35        | 2,5/100               | 500   | 235   | 227               | RPLA-100-2,5-70 |                  |
| 7.   | 125   | 1,0    | 35        | 1,0/125               | 480   | 250   | 201               | 132             | RPLA-125-1,0-70  |
|      |       | 1,6    | 35        | 1,6/125               | 480   |       |                   | 156             | RPLA-125-1,6-70  |
|      |       | 2,5    | 35        | 2,5/125               | 500   | 270   | 208               | RPLA-125-2,5-70 |                  |
| 8.   | 150   | 1,0    | 35        | 1,0/150               | 490   | 285   | 284               | 130             | RPLA-150-1,0-70  |
|      |       | 1,6    | 35        | 1,6/150               | 490   |       |                   | 154             | RPLA-150-1,6-70  |
|      |       | 2,5    | 35        | 2,5/150               | 510   | 300   | 257               | RPLA-150-2,5-70 |                  |
| 9.   | 200   | 1,0    | 35        | 1,0/200               | 500   | 340   | 456               | 198             | RPLA-200-1,0-70  |
|      |       | 1,6    | 35        | 1,6/200               | 500   |       |                   | 264             | RPLA-200-1,6-70  |
|      |       | 2,5    | 35        | 2,5/200               | 540   | 360   | 396               | RPLA-200-2,5-70 |                  |
|      |       | 1,0    | 60        | 1,0/200               | 650   | 340   |                   | 115             | RPLA-200-1,0-120 |
|      |       | 1,6    | 60        | 1,6/200               | 650   |       |                   | 154             | RPLA-200-1,6-120 |
|      |       | 2,5    | 60        | 2,5/200               | 690   |       |                   | 360             | 231              |
| 10.  | 250   | 1,0    | 35        | 1,0/250               | 500   | 395   | 697               | 215             | RPLA-250-1,0-70  |
|      |       | 1,6    | 35        | 1,6/250               | 510   |       |                   | 405             | 267              |
|      |       | 2,5    | 35        | 2,5/250               | 570   | 425   | 503               | RPLA-250-2,5-70 |                  |
|      |       | 1,0    | 60        | 1,0/250               | 650   | 395   |                   | 126             | RPLA-250-1,0-120 |
|      |       | 1,6    | 60        | 1,6/250               | 660   |       |                   | 168             | RPLA-250-1,6-120 |
|      |       | 2,5    | 60        | 2,5/250               | 730   |       |                   | 425             | 293              |
| 11.  | 300   | 1,0    | 35        | 1,0/300               | 510   | 445   | 952               | 251             | RPLA-300-1,0-70  |
|      |       | 1,6    | 35        | 1,6/300               | 530   |       |                   | 460             | 335              |
|      |       | 2,5    | 35        | 2,5/300               | 570   | 480   | 508               | RPLA-300-2,5-70 |                  |
|      |       | 1,0    | 60        | 1,0/300               | 660   | 445   |                   | 147             | RPLA-300-1,0-120 |
|      |       | 1,6    | 60        | 1,6/300               | 680   |       |                   | 195             | RPLA-300-1,6-120 |
|      |       | 2,5    | 60        | 2,5/300               | 720   |       |                   | 480             | 342              |

| L.p. | DN<br>mm | PN<br>MPa | +/- Δl<br>mm | Przyłącze<br>kołnierzowe | T <sub>L</sub><br>mm | Du<br>mm | A<br>cm <sup>2</sup> | F<br>N/mm | Oznaczenie       |
|------|----------|-----------|--------------|--------------------------|----------------------|----------|----------------------|-----------|------------------|
| 12.  | 350      | 1,0       | 35           | 1,0/350                  | 500                  | 500      | 1138                 | 274       | RPLA-350-1,0-70  |
|      |          |           |              | 1,6/350                  | 540                  | 520      |                      | 365       | RPLA-350-1,6-70  |
|      |          |           |              | 2,5/350                  | 600                  | 555      |                      | 638       | RPLA-350-2,5-70  |
|      |          | 1,0       | 60           | 1,0/350                  | 650                  | 500      |                      | 160       | RPLA-350-1,0-120 |
|      |          |           |              | 1,6/350                  | 690                  | 520      |                      | 213       | RPLA-350-1,6-120 |
|      |          |           |              | 2,5/350                  | 750                  | 555      |                      | 372       | RPLA-350-2,5-120 |
| 13.  | 400      | 1,0       | 35           | 1,0/400                  | 540                  | 555      | 1462                 | 255       | RPLA-400-1,0-70  |
|      |          |           |              | 1,6/400                  | 560                  | 580      |                      | 425       | RPLA-400-1,6-70  |
|      |          |           |              | 2,5/400                  | 630                  | 620      |                      | 595       | RPLA-400-2,5-70  |
|      |          | 1,0       | 60           | 1,0/400                  | 680                  | 555      |                      | 162       | RPLA-400-1,0-120 |
|      |          |           |              | 1,6/400                  | 700                  | 580      |                      | 270       | RPLA-400-1,6-120 |
|      |          |           |              | 2,5/400                  | 780                  | 620      |                      | 379       | RPLA-400-2,5-120 |
| 14.  | 450      | 1,0       | 35           | 1,0/450                  | 550                  | 615      | 1798                 | 286       | RPLA-450-1,0-70  |
|      |          |           |              | 1,6/450                  | 580                  | 640      |                      | 477       | RPLA-450-1,6-70  |
|      |          |           |              | 2,5/450                  | 630                  | 670      |                      | 668       | RPLA-450-2,5-70  |
|      |          | 1,0       | 60           | 1,0/450                  | 720                  | 615      |                      | 182       | RPLA-450-1,0-120 |
|      |          |           |              | 1,6/450                  | 750                  | 640      |                      | 303       | RPLA-450-1,6-120 |
|      |          |           |              | 2,5/450                  | 790                  | 670      |                      | 425       | RPLA-450-2,5-120 |
| 15.  | 500      | 1,0       | 35           | 1,0/500                  | 570                  | 670      | 2240                 | 318       | RPLA-500-1,0-70  |
|      |          |           |              | 1,6/500                  | 610                  | 715      |                      | 530       | RPLA-500-1,6-70  |
|      |          |           |              | 2,5/500                  | 670                  | 730      |                      | 749       | RPLA-500-2,5-70  |
|      |          | 1,0       | 60           | 1,0/500                  | 720                  | 670      |                      | 202       | RPLA-500-1,0-120 |
|      |          |           |              | 1,6/500                  | 760                  | 715      |                      | 337       | RPLA-500-1,6-120 |
|      |          |           |              | 2,5/500                  | 830                  | 730      |                      | 472       | RPLA-500-2,5-120 |
| 16.  | 600      | 1,0       | 35           | 1,0/600                  | 580                  | 780      | 3099                 | 495       | RPLA-600-1,0-70  |
|      |          |           |              | 1,6/600                  | 620                  | 840      |                      | 742       | RPLA-600-1,6-70  |
|      |          |           |              | 2,5/600                  | 690                  | 845      |                      | 1113      | RPLA-600-2,5-70  |
|      |          | 1,0       | 60           | 1,0/600                  | 730                  | 780      |                      | 315       | RPLA-600-1,0-120 |
|      |          |           |              | 1,6/600                  | 770                  | 840      |                      | 472       | RPLA-600-1,6-120 |
|      |          |           |              | 2,5/600                  | 850                  | 845      |                      | 708       | RPLA-600-2,5-120 |

- PN – Ciśnienie nominalne [MPa]  
+/- Δl – Kompensacja [mm]  
T<sub>L</sub> – Długość całkowita kompensatora [mm]  
Du – Maksymalna średnica zewnętrzna [mm]  
A – Pole przekroju czynnego mieszka [cm<sup>2</sup>]  
F – Sprężystość mieszka [N/mm]