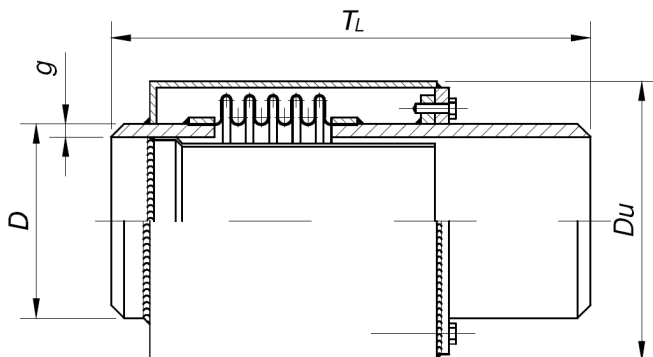


Kompensatory mieszkowe – osiowe z końcówkami do spawania i naciągiem wstępnym pod preizolację –ciepłowniczy Typ RPNA



Materiały:

| | |
|-------------------|----------|
| Mieszek | AISI 321 |
| Końcówki | R35/St3s |
| Ośłona wewnętrzna | AISI 304 |
| Ośłona zewnętrzna | St3s |

Średnica rurociągu: DN = 32 – 1200 mm
 Kompensacja: Δl = 30 – 120mm
 Temperatura do: 300°C

Przeznaczenie

- kompensacja osiowa

Zastosowanie:

- instalacje ciepłownicze
 - instalacje przemysłowe

| L.p. | DN mm | PN MPa | Δl mm | D x g mm | TL mm | Du mm | A cm ² | F N/mm | Oznaczenie |
|------|----------|-----------|----------|---------------------------------|----------|----------|----------------------|-----------|------------------|
| 1. | 32 | 1,0 | 30 | 42,4 x 3,6 | 310 | 83 | 21,2 | 83 | RPNA-32-1,0-30 |
| | | 1,6 | 30 | | 310 | | | 83 | RPNA-32-1,6-30 |
| | | 2,5 | 30 | | 310 | | | 83 | RPNA-32-2,5-30 |
| 2. | 40 | 1,0 | 30 | 48,3 x 3,6 | 310 | 90 | 26,2 | 78 | RPNA-40-1,0-30 |
| | | 1,6 | 30 | | 310 | | | 78 | RPNA-40-1,6-30 |
| | | 2,5 | 30 | | 310 | | | 86 | RPNA-40-2,5-30 |
| 3. | 50 | 1,0 | 40 | 60,3 x 3,6 lub 57 x 3,6 | 350 | 100 | 38,9 | 81 | RPNA-50-1,0-40 |
| | | 1,6 | 40 | | 350 | | | 81 | RPNA-50-1,6-40 |
| | | 2,5 | 40 | | 350 | | | 101 | RPNA-50-2,5-40 |
| 4. | 65 | 1,0 | 40 | 76,1 x 4,0 | 330 | 125 | 61,2 | 93 | RPNA-65-1,0-40 |
| | | 1,6 | 40 | | 330 | | | 93 | RPNA-65-1,6-40 |
| | | 2,5 | 40 | | 340 | | | 111 | RPNA-65-2,5-40 |
| 5. | 80 | 1,0 | 70 | 88,9 x 4,0 | 400 | 140 | 83,8 | 72 | RPNA-80-1,0-70 |
| | | 1,6 | 70 | | 400 | | | 72 | RPNA-80-1,6-70 |
| | | 2,5 | 70 | | 400 | | | 110 | RPNA-80-2,5-70 |
| 6. | 100 | 1,0 | 70 | 114,3 x 4,0 lub 108 x 4,0 | 410 | 175 | 137 | 114 | RPNA-100-1,0-70 |
| | | 1,6 | 70 | | 410 | | | 114 | RPNA-100-1,6-70 |
| | | 2,5 | 70 | | 420 | | | 227 | RPNA-100-2,5-70 |
| 7. | 125 | 1,0 | 70 | 139,7 x 4,5 lub 133 x 4,0 | 440 | 210 | 201 | 132 | RPNA-125-1,0-70 |
| | | 1,6 | 70 | | 440 | | | 156 | RPNA-125-1,6-70 |
| | | 2,5 | 70 | | 440 | | | 208 | RPNA-125-2,5-70 |
| 8. | 150 | 1,0 | 70 | 168,3 x 5,0 lub 159 x 4,5 | 470 | 240 | 284 | 130 | RPNA-150-1,0-70 |
| | | 1,6 | 70 | | 470 | | | 154 | RPNA-150-1,6-70 |
| | | 2,5 | 70 | | 470 | | | 257 | RPNA-150-2,5-70 |
| 9. | 200 | 1,0 | 70 | 219,1 x 6,3 | 450 | 300 | 456 | 198 | RPNA-200-1,0-70 |
| | | 1,6 | 70 | | 450 | | | 264 | RPNA-200-1,6-70 |
| | | 2,5 | 70 | | 450 | | | 396 | RPNA-200-2,5-70 |
| | | 1,0 | 120 | | 610 | | | 115 | RPNA-200-1,0-120 |
| | | 1,6 | 120 | | 610 | | | 154 | RPNA-200-1,6-120 |
| | | 2,5 | 120 | | 610 | | | 231 | RPNA-200-2,5-120 |
| 10. | 250 | 1,0 | 70 | 273 x 7,1 | 460 | 360 | 697 | 215 | RPNA-250-1,0-70 |
| | | 1,6 | 70 | | 460 | | | 287 | RPNA-250-1,6-70 |
| | | 2,5 | 70 | | 470 | | | 503 | RPNA-250-2,5-70 |
| | | 1,0 | 120 | | 610 | | | 126 | RPNA-250-1,0-120 |
| | | 1,6 | 120 | | 610 | | | 168 | RPNA-250-1,6-120 |
| | | 2,5 | 120 | | 630 | | | 293 | RPNA-250-2,5-120 |
| 11. | 300 | 1,0 | 70 | 323,9 x 8,0 | 460 | 400 | 952 | 251 | RPNA-300-1,0-70 |
| | | 1,6 | 70 | | 460 | | | 335 | RPNA-300-1,6-70 |
| | | 2,5 | 70 | | 460 | | | 586 | RPNA-300-2,5-70 |
| | | 1,0 | 120 | | 610 | | | 147 | RPNA-300-1,0-120 |
| | | 1,6 | 120 | | 610 | | | 195 | RPNA-300-1,6-120 |
| | | 2,5 | 120 | | 610 | | | 342 | RPNA-300-2,5-120 |

| L.p. | DN mm | PN MPa | Δl mm | D x g mm | T _L mm | Du mm | A cm ² | F N/mm | Oznaczenie |
|------|----------|-----------|------------------|-------------|----------------------|----------|----------------------|------------------|-------------------|
| 12. | 350 | 1,0 | 70 | 355,6 x 8,8 | 470 | 440 | 1138 | 274 | RPNA-350-1,0-70 |
| | | | 70 | | 470 | | | 365 | RPNA-350-1,6-70 |
| | | | 70 | | 470 | | | 638 | RPNA-350-2,5-70 |
| | | | 120 | | 620 | | | 160 | RPNA-350-1,0-120 |
| | | | 120 | | 620 | | | 213 | RPNA-350-1,6-120 |
| | | | 120 | | 620 | | | 372 | RPNA-350-2,5-120 |
| 13. | 400 | 1,0 | 70 | 406,4 x 10 | 500 | 500 | 1462 | 255 | RPNA-400-1,0-70 |
| | | | 70 | | 500 | | | 425 | RPNA-400-1,6-70 |
| | | | 70 | | 500 | | | 595 | RPNA-400-2,5-70 |
| | | | 120 | | 640 | | | 162 | RPNA-400-1,0-120 |
| | | | 120 | | 640 | | | 270 | RPNA-400-1,6-120 |
| | | | 120 | | 640 | | | 379 | RPNA-400-2,5-120 |
| 14. | 450 | 1,0 | 70 | 457 x 10 | 490 | 550 | 1798 | 286 | RPNA-450-1,0-70 |
| | | | 70 | | 490 | | | 477 | RPNA-450-1,6-70 |
| | | | 70 | | 500 | | | 668 | RPNA-450-2,5-70 |
| | | | 120 | | 630 | | | 182 | RPNA-450-1,0-120 |
| | | | 120 | | 630 | | | 303 | RPNA-450-1,6-120 |
| | | | 120 | | 650 | | | 425 | RPNA-450-2,5-120 |
| 15. | 500 | 1,0 | 70 | 508 x 11 | 520 | 600 | 2240 | 318 | RPNA-500-1,0-70 |
| | | | 70 | | 520 | | | 530 | RPNA-500-1,6-70 |
| | | | 70 | | 520 | | | 742 | RPNA-500-2,5-70 |
| | | | 120 | | 680 | | | 202 | RPNA-500-1,0-120 |
| | | | 120 | | 680 | | | 337 | RPNA-500-1,6-120 |
| | | | 120 | | 680 | | | 472 | RPNA-500-2,5-120 |
| 16. | 600 | 1,0 | 70 | 610 x 10 | 530 | 700 | 3099 | 495 | RPNA-600-1,0-70 |
| | | | 70 | | 530 | | | 742 | RPNA-600-1,6-70 |
| | | | 70 | | 540 | | | 1113 | RPNA-600-2,5-70 |
| | | | 120 | | 680 | | | 315 | RPNA-600-1,0-120 |
| | | | 120 | | 680 | | | 472 | RPNA-600-1,6-120 |
| | | | 120 | | 700 | | | 708 | RPNA-600-2,5-120 |
| 17. | 700 | 1,0 | 70 | 711 x 12 | 560 | 800 | 4278 | 426 | RPNA-700-1,0-70 |
| | | | 70 | | 560 | | | 852 | RPNA-700-1,6-70 |
| | | | 70 | | 580 | | | 1278 | RPNA-700-2,5-70 |
| | | | 120 | | 690 | | | 271 | RPNA-700-1,0-120 |
| | | | 120 | | 720 | | | 542 | RPNA-700-1,6-120 |
| | | | 120 | | 720 | | | 813 | RPNA-700-2,5-120 |
| 18. | 800 | 1,0 | 70 | 813 x 12 | 500 | 900 | 5619 | 785 | RPNA-800-1,0-70 |
| | | | 70 | | 500 | | | 1373 | RPNA-800-1,6-70 |
| | | | 70 | 813 x 14,2 | 520 | | | 1962 | RPNA-800-2,5-70 |
| | | | 120 | 813 x 12 | 640 | | | 471 | RPNA-800-1,0-120 |
| | | | 120 | 640 | 824 | | | RPNA-800-1,6-120 | |
| | | | 120 | 813 x 14,2 | 670 | | | 1177 | RPNA-800-2,5-120 |
| 19. | 900 | 1,0 | 70 | 914 x 12 | 510 | 1015 | 6996 | 847 | RPNA-900-1,0-70 |
| | | | 70 | | 510 | | | 1423 | RPNA-900-1,6-70 |
| | | | 70 | 914 x 14,2 | 510 | | | 1520 | RPNA-900-2,5-70 |
| | | | 120 | 914 x 12 | 660 | | | 564 | RPNA-900-1,0-120 |
| | | | 120 | 660 | 1414 | | | RPNA-900-1,6-120 | |
| | | | 120 | 914 x 14,2 | 660 | | | 1697 | RPNA-900-2,5-120 |
| 20. | 1000 | 1,0 | 70 | 1016 x 11 | 520 | 1130 | 8652 | 940 | RPNA-1000-1,0-70 |
| | | | 70 | | 520 | | | 1032 | RPNA-1000-1,6-70 |
| | | | 120 | | 680 | | | 564 | RPNA-1000-1,0-120 |
| | | | 120 | | 680 | | | 1240 | RPNA-1000-1,6-120 |
| 21. | 1200 | 1,0 | 70 | 1220 x 12 | 520 | 1330 | 12226 | 1100 | RPNA-1200-1,0-70 |
| | | | 70 | | 520 | | | 1510 | RPNA-1200-1,6-70 |
| | | | 120 | | 680 | | | 1640 | RPNA-1200-1,0-120 |
| | | | 120 | | 680 | | | 2110 | RPNA-1200-1,6-120 |

PN – Ciężnienie nominalne [MPa]

Δl – Kompensacja [mm]

D – Średnica zewnętrzna króćca [mm]

g – Grubość ściany króćca [mm]

T_L – Długość całkowita kompensatora [mm]

Du – Maksymalna średnica zewnętrzna [mm]

A – Pole przekroju czynnego mieszka [cm²]

F – Sprężystość mieszka [N/mm]